



Product flyer

Screw press 5t

ZAMAG



Screw press SP500

swiss technology

Design:

- Robust cast iron construction
- Pinion and gear rack are made of heat-treatable steel
- Ingenious construction provides for a maximum of performance
- High efficiency thanks to in ball-bearing mounted pinion
- location hole $\text{Ø}32\text{-H7}$ in the gear rack for various tools

Technical data (standard version):

- Max. pressing force: 5000kg
- Max. workpiece height: 500mm
- Ratio: 1:100
- Weight: approx. 180kg
- Colour: RAL 3003 (ruby red)

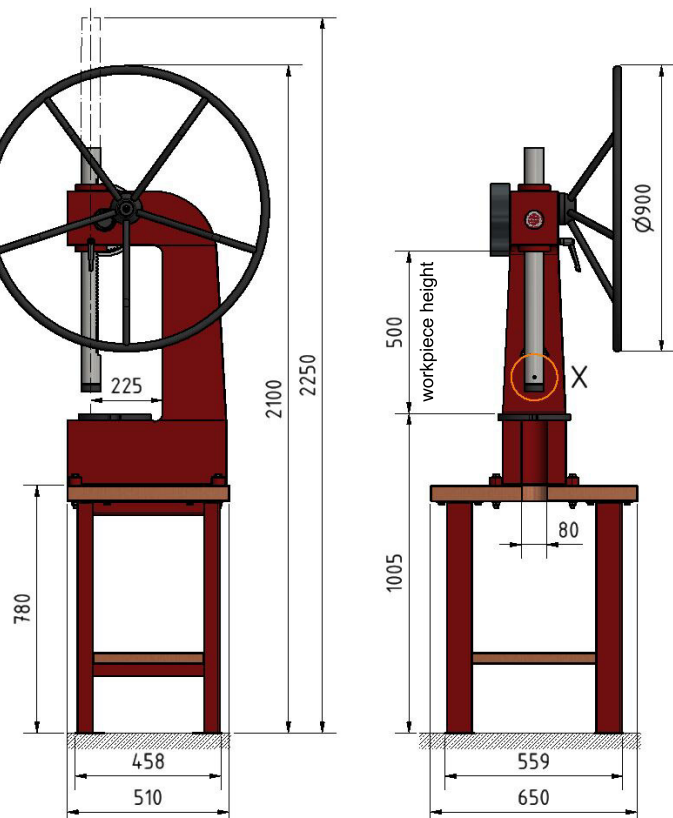
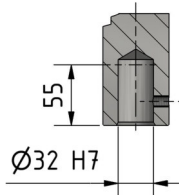
Usage:

- Broaching keyways
- Straighten of shafts
- Pressing in and out
- Embossing
- Deep drawing
- Riveting
- Assembly work

Special designs:

- 600mm workpiece height
- Braking device on the handwheel (with disc brake)
- different colour

Detail X:
(location hole)



ZELLER AUTOMATIK AG

Bernstrasse 52

CH-4923 Wynau

+41 62 926 60 50

+41 62 926 60 59

mitracon@zamac.ch

www.zamac.ch