

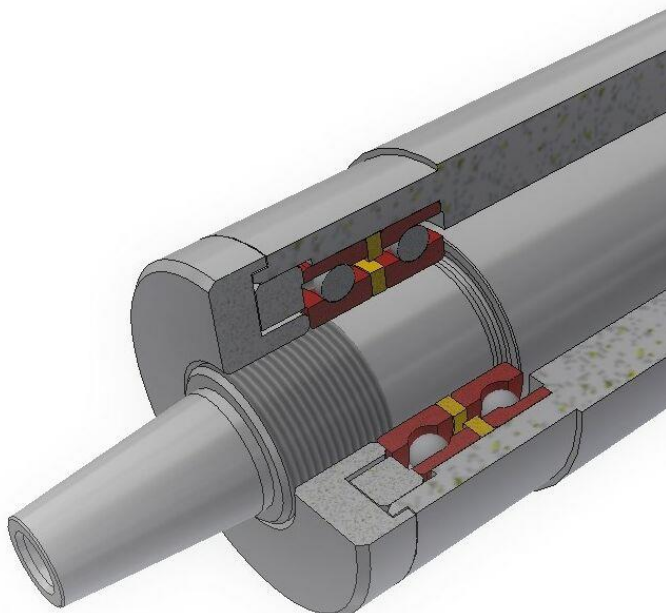
Face grinding machine by

ZAMAG



DSM102-04

Dry grinding with dust extraction



highest accuracy:

parallelism: 0.001mm

flatness: 0.001mm

thickness: ± 0.001 mm

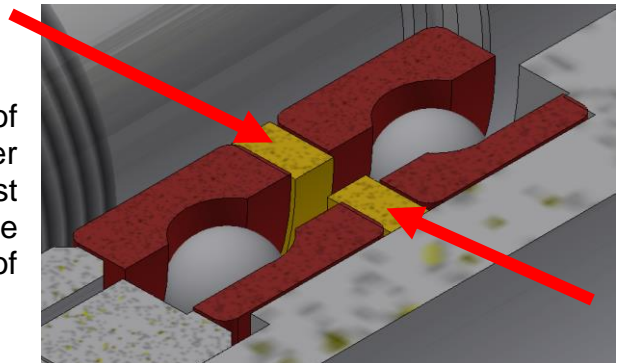
Special features

The simple construction and the easy operation of the DSM 102 allowed the **adaptation** of components during the assembly process.

Tangential grinding produces a very fine surface and an exact parallelism of the end faces. Compliance the thickness tolerances of 0.001mm is made easier by a **digital display**.

Application

Plane grinding with maximum **parallelism** of rotationally symmetrical parts. Examples: Spacer rings for the pairing of rolling bearings, thrust washers for roller thrust bearings and needle bearings, rotors for gear pumps and a number of other applications.



Technical data standard version

<p>Working range</p> <p>Centre height: 102 mm Pendulum stroke: 250 mm Infeed stroke: 100 mm Clamping surface: Magnetic chuck \varnothing 150 to \varnothing 250 mm Workpiece length: Chuck \varnothing150/\varnothing200 mm -> max. 200 mm Chuck \varnothing250 mm -> max. 80 mm</p>	<p>Connection data</p> <p>Dimensions: I x w x h = 900 x 800 x 1600 mm Weight: approx. 650 kg Electrical connection: 3x400V+N+PE, 16A, 50 Hz</p>
<p>Grinding data</p> <p><i>Workpiece spindle</i></p> <p>Power: 0.37 kW Rotational speed: up to 500 rpm (stepless)</p> <p><i>Grinding spindle</i></p> <p>Power: 1.1 kW Rotational speed: 2'800 rpm Grinding wheel: \varnothing 175 mm x 20 mm</p>	<p>Feed axis</p> <p>Pendulum axis: with handwheel, limited by a stop Infeed axis: with handwheel, increment 0.001 mm</p> <p>Display Digital with mm- or inch-display</p> <p>Extraction Industrial vacuum cleaner</p> <p>Colour RAL 3003 ruby red / 7035 light grey</p>

Special version

- Coolant system with anti-splash hood and automatic pendulum stroke
- Different machine colour

Producer: ZELLER AUTOMATIK AG
 Bernstrasse 52
 CH-4923 Wynau
 www.zamag.ch

Sales partner:

